

Trip Shaft Parts

The renewal parts available for the trip shaft are the buffer assembly and the return spring, illustrated in Figure 31. The catalog numbers of these parts are listed in Table 19.

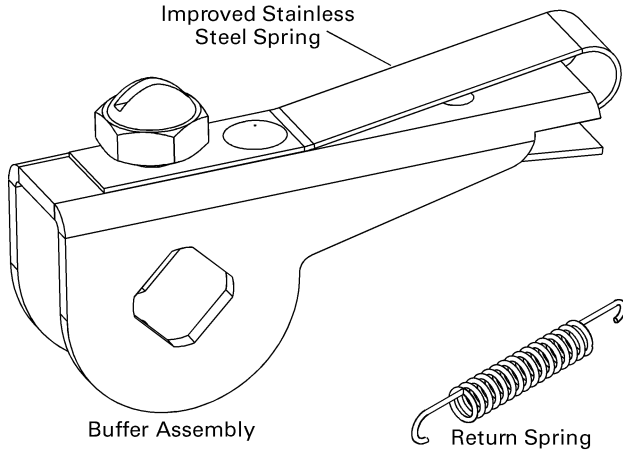


Figure 31. Trip Shaft Buffer assembly and Return Spring.

Description	Catalog Number
Trip Shaft Buffer Assembly	192A9651G1
Trip Shaft Return Spring ^①	192A6990P149
Trip Shaft Return Spring ^②	10087448P1

① Used through fiscal week 8 of 2002.

② Used after fiscal week 8 of 2002. Color coded red. Recommended for use only with red secondary latch torsion spring.

Table 19. Catalog numbers of Trip Shaft renewal parts.

Latch Gap Adjuster

The Latch Gap Adjuster, which has been in use since fiscal week 8 of 2002, sets the gap between the latch and latch roller. It is illustrated in Figure 32 and the catalog number is listed in Table 20.

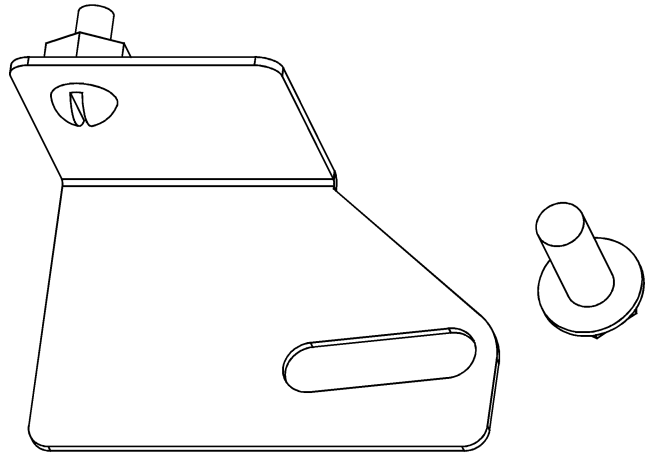


Figure 32. Latch Gap Adjuster.

Description	Catalog Number
Latch Gap Adjuster	10088403G1

Table 20. Catalog number of the Latch Gap Adjuster.

Breaker Retaining Hardware

The retaining hardware items listed in Table 21 are available in packages of 100 pieces. Order by the catalog number listed.

Shaft Size, In.	Squeeze Rings	Retaining Rings	Retaining Clips
0.187	10081394G5	10081394G9	—
0.250	10081394G3	10081394G10	—
0.312	10081394G2	—	—
0.375	10081394G1	10081394G11	—
0.438	10081394G7	—	—
0.500	10081394G6	10081394G12	—
0.625	10081394G4	—	—
0.875	—	10081394G13	—
1.000	—	10081394G14	—
1.250	—	10081394G15	—
Aux Switch	—	—	10081394G8

Table 21. Catalog numbers of retaining hardware available for WavePro breakers.