

RENEWAL PARTS

IC2800-Y107, IC2801-AX205, AND IC2801-AX254 CONTACTORS

Forms A, B, C, D, E, F, G, H, J, K, L, M, N,
P, R, S, T, W, X, Y, AA, AB, AC, AD,
AE, AF, AG, AH, AJ, AK, AL, and AM

NOTE:—When ordering parts for a form of the contactor not covered by this bulletin, give reference number, description of part, complete nameplate reading, and above bulletin (GEF) number. Do not use catalog number when form for which the parts are needed is not covered by the bulletin.

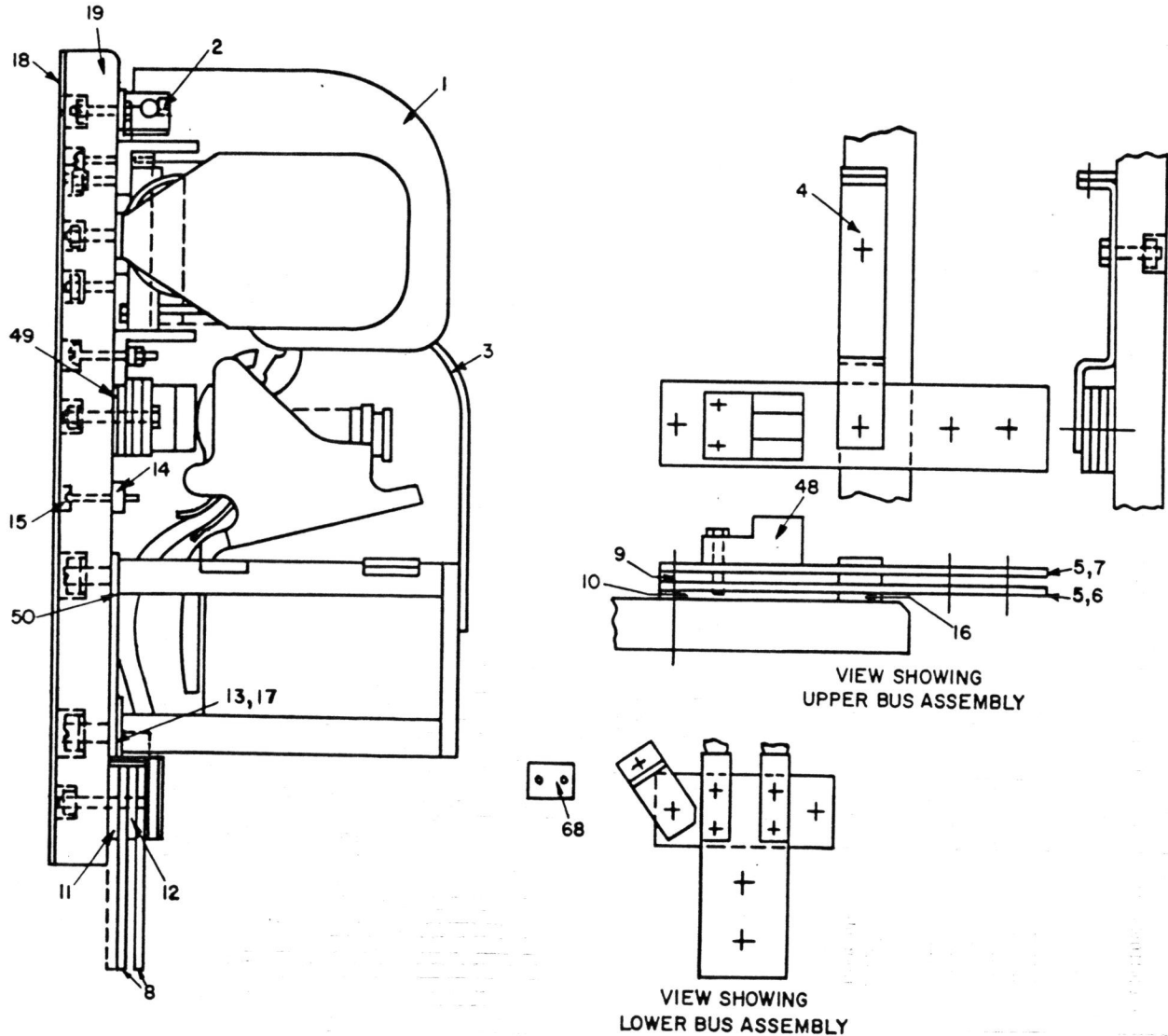


Fig. 1. IC2800-Y107 contactor parts

When ordering renewal parts, give quantity, catalog number, description of each item required, and complete nameplate reading.



IC2800-Y107 CONTACTORS

GEF-4606

**OPERATING COILS, PICK-UP AND HOLDING RESISTORS, RECTIFIERS,
AUXILIARY CONTACTORS, AND AUXILIARY CONTACTORCOILS (Cont'd)**

Coil No.	Catalog No.	No. Req'd.	Pick-up Resistor	No. Req'd.	Holding Resistor	No. Req'd.	Rectifier	No. Req'd.	**Auxiliary Contactor	No. Req'd.	Aux. Contact Coil	No. Req'd.
22	22D95G17A	8	-----	1	A100G250EA-TH	1	IC3500A403C5	1	CR2810A14AC4	1	22D135G4	1
23	22D95G20A	2	-----	-	-----	-	-----	-	-----	-	-----	-
24	22D95G21A	2	-----	-	-----	-	-----	-	-----	-	-----	-
25	22D95G22A	2	-----	1	A100G150EA-TH	1	-----	-	-----	-	-----	-
26	22D95G23A	2	-----	-	-----	-	-----	-	-----	-	-----	-
27	22D95G1A	2	-----	1	A100G60EA-TH	1	-----	-	-----	-	-----	-
28	22D95G24A	2	-----	-	-----	-	-----	-	-----	-	-----	-
28	22D95G24A	8	A100G2EA-TH	1	A100G10EA-TH	1	IC3500A403C2	-	CR2810A14AC2	1	22D135G2	1
29	22D95G25A	2	-----	-	-----	-	-----	-	-----	-	-----	-
30	22D95G21A	2	-----	-	-----	-	-----	-	-----	-	-----	-
30	22D95G21A	6	A100G25EA-TH	1	{ A100G250EA-TH A100G200EA-TH	1	IC3500A403C5	1	CR2810A14AG27	1	22D135G27	1
31	22D95G27A	2	-----	-	-----	-	-----	-	-----	-	-----	-
32	22D95G25A	2	-----	-	-----	-	-----	-	-----	-	-----	-
32	22D95G25A	4	A100G5EA-TH	1	A100G5EA-TH	1	IC3500A403C2	1	CR2810A14AC2	1	22D135G2	1
33	22D95G21A	2	-----	-	-----	-	-----	-	-----	-	-----	-
33	22D95G21A	2	-----	-	-----	-	-----	-	-----	-	-----	-
34	22D95G33A	2	-----	-	-----	-	-----	-	-----	-	-----	-
35	22D95G7A	2	-----	-	-----	-	-----	-	-----	-	-----	-
36	22D95G43A	2	-----	-	-----	-	-----	-	-----	-	-----	-
37	22D95G19A	2	-----	-	-----	-	-----	-	-----	-	-----	-
37	22D95G19A	4	A100G75EA-TH	1	A100G750EA-TH	1	IC3500A403C5	1	CR2810A14AC4	1	22D135G4	1
37	22D95G19A	6	A100G25EA-TH	1	{ A100G750EA-TH A100G150EA-TH	1	IC3500A403C8	1	{ CR2810A14AC5 *CR2810A14AC6	1	{ 22D135G5 *22D135G6	1
39	22D95G9A	2	-----	-	-----	-	-----	-	-----	-	-----	-
40	22D95G45A	2	-----	-	-----	-	-----	-	-----	-	-----	-
40	22D95G45A	6	-----	-	-----	-	-----	-	-----	-	-----	-
41	22D95G15A	2	-----	-	-----	-	-----	-	-----	-	-----	-
41	22D95G15A	2	-----	-	-----	-	-----	-	-----	-	-----	-
102	22D95G21A	2	-----	-	-----	-	-----	-	-----	-	-----	-
103	22D95G5A	2	-----	-	-----	-	-----	-	-----	-	-----	-
103	22D95G5A	4	A100G100EA-TH	1	A100G1500EA-TH	1	IC3500A403C8	1	{ CR2810A14AC5 *CR2810A14AC6	1	{ 22D135G5 *22D135G6	1
105	22D95G39A	2	-----	-	-----	-	-----	-	-----	-	-----	-
106	22D95G23A	2	-----	-	-----	-	-----	-	-----	-	-----	-
107	22D95G14A	2	-----	-	-----	-	-----	-	-----	-	-----	-
107	22D95G14A	2	A100G100EA-TH	1	A100G2500EA-TH	1	IC3500A403C8	1	{ CR2810A14AC5 *CR2810A14AC6	1	{ 22D135G5 *22D135G6	1
108	22D95G26A	2	-----	-	-----	-	-----	-	-----	-	-----	-
109	22D95G1A	2	-----	-	-----	-	-----	-	-----	-	-----	-
110	22D95G7A	2	-----	-	-----	-	-----	-	-----	-	-----	-
113	22D95G25A	2	-----	-	-----	-	-----	-	-----	-	-----	-
115	22D95G2A	2	-----	-	-----	-	-----	-	-----	-	-----	-
118	22D95G16A	2	-----	-	-----	-	-----	-	-----	-	-----	-
120	22D95G5A	2	-----	-	-----	-	-----	-	-----	-	-----	-
123	22D95G33A	2	-----	-	-----	-	-----	-	-----	-	-----	-
126	22D95G6A	2	-----	-	-----	-	-----	-	-----	-	-----	-
138	22D95G15A	2	-----	-	-----	-	-----	-	-----	-	-----	-
141	22D95G10A	2	-----	-	-----	-	-----	-	-----	-	-----	-

**For 600-volt applications.
**For parts of auxiliary contactor, see GEF-4210.

IC2800-Y107 CONTACTORS

ELECTRICAL INTERLOCKS

NOTE: The interlock is identified by the last letter in the IC designation.

EXAMPLE: IC2800-Y107-A-2-B requires interlock switch unit number B, Cat. No.'s IC2956A200B and IC2956A200C.

Interlock Letter	Interlock Switch Unit				*Set of Interlock Contacts Cat. No.	Interlock Mounting Kit	
	Upper Left (one) Cat. No.	Lower Left (one) Cat. No.	Upper Right (one) Cat. No.	Lower Right (one) Cat. No.		Cat. No.	No. Req.
B	IC2956A200B	-----	IC2956A200C	-----	6960053G3	112B9742G1	1
C	IC2956A200B	-----	IC2956A200A	-----	6960053G3	112B9742G1	1
D	IC2956A200B	-----	IC2956A200B	-----	6960053G3	112B9742G1	1
E	IC2956A200B	IC2956A200A	IC2956A200C	IC2956A200A	6960053G3	112B9742G2	1
F	IC2956A200B	IC2956A200B	IC2956A200C	IC2956A200B	6960053G3	112B9742G2	1
G	IC2956A200B	IC2956A200C	IC2956A200C	IC2956A200C	6960053G3	112B9742G2	1
H	IC2956A200B	IC2956A200A	IC2956A200A	IC2956A200A	6960053G3	112B9742G2	1
J	IC2956A200B	IC2956A200B	IC2956A200A	IC2956A200B	6960053G3	112B9742G2	1
K	IC2956A200B	IC2956A200C	IC2956A200A	IC2956A200C	6960053G3	112B9742G2	1
L	IC2956A200B	IC2956A200A	IC2956A200B	IC2956A200A	6960053G3	112B9742G2	1
M	IC2956A200B	IC2956A200B	IC2956A200B	IC2956A200B	6960053G3	112B9742G2	1
N	IC2956A200B	IC2956A200C	IC2956A200B	IC2956A200C	6960053G3	112B9742G2	1
P	IC2956A200B	IC2956A200B	IC2956A200C	IC2956A200A	6960053G3	112B9742G2	1
R	IC2956A200B	IC2956A200C	IC2956A200C	IC2956A200A	6960053G3	112B9742G2	1
S	IC2956A200B	IC2956A200B	IC2956A200A	IC2956A200A	6960053G3	112B9742G2	1
T	IC2956A200B	IC2956A200C	IC2956A200A	IC2956A200A	6960053G3	112B9742G2	1
V	IC2956A200B	-----	IC2956A200C	-----	6960053G3	112B9742G1	1
W	IC2956A200B	-----	IC2956A200A	-----	6960053G3	112B9742G1	1
Y	IC2956A200B	-----	IC2956A200B	-----	6960053G3	112B9742G1	1
AB	-----	-----	IC2956A200C	IC2956A200C	6960053G3	112B9742G1	1
BB	IC2956A200C	-----	IC2956A200B	-----	6960053G3	112B9742G1	1
BC	IC2956A200A	-----	IC2956A200B	-----	6960053G3	112B9742G1	1
BD	IC2956A200B	-----	IC2956A200B	-----	6960053G3	112B9742G1	1
BE	IC2956A200C	IC2956A200A	IC2956A200B	IC2956A200A	6960053G3	112B9742G2	1
BF	IC2956A200C	IC2956A200B	IC2956A200B	IC2956A200B	6960053G3	112B9742G2	1
BG	IC2956A200C	IC2956A200C	IC2956A200B	IC2956A200C	6960053G3	112B9742G2	1
BH	IC2956A200A	IC2956A200A	IC2956A200B	IC2956A200A	6960053G3	112B9742G2	1
BJ	IC2956A200A	IC2956A200B	IC2956A200B	IC2956A200B	6960053G3	112B9742G2	1
BK	IC2956A200A	IC2956A200C	IC2956A200B	IC2956A200C	6960053G3	112B9742G2	1
BL	IC2956A200B	IC2956A200A	IC2956A200B	IC2956A200A	6960053G3	112B9742G2	1
BM	IC2956A200B	IC2956A200A	IC2956A200B	IC2956A200A	6960053G3	112B9742G2	1
BN	IC2956A200B	IC2956A200C	IC2956A200B	IC2956A200C	6960053G3	112B9742G2	1
BP	IC2956A200C	IC2956A200A	IC2956A200B	IC2956A200B	6960053G3	112B9742G2	1
BR	IC2956A200C	IC2956A200A	IC2956A200B	IC2956A200C	6960053G3	112B9742G2	1
BS	IC2956A200A	IC2956A200A	IC2956A200B	IC2956A200B	6960053G3	112B9742G2	1
BT	IC2956A200A	IC2956A200A	IC2956A200B	IC2956A200C	6960053G3	112B9742G2	1
BV	IC2956A200C	-----	IC2956A200B	-----	6960053G3	112B9742G1	1
BW	IC2956A200A	-----	IC2956A200B	-----	6960053G3	112B9742G1	1
BY	IC2956A200B	-----	IC2956A200B	-----	6960053G3	112B9742G1	1
CE	IC2956A200B	IC2956A205C	IC2956A200A	IC2956A205C	6960053G3 6960053G46	112B9742G2	1
CF	IC2956A200B	-----	IC2956A200C	-----	6960053G3	112B9742G1	1
CG	IC2956A200AK	-----	IC2956A200AK	-----	6960053G3	112B9742G1	1
CH	IC2956A200AK	-----	IC2956A200AJ	-----	6960053G3	112B9742G1	1
CJ	IC2956A200AK	-----	IC2956A200AH	-----	6960053G3	112B9742G1	1
CK	IC2956A200AK	IC2956A200AJ	IC2956A200AJ	IC2956A200AJ	6960053G3	112B9742G1	1
CL	IC2956A200B	IC2956A200C	IC2956A200C	-----	6960053G3	112B9742G1	1
CM	IC2956A200C	IC2956A200C	IC2956A200B	IC2956A205C	6960053G46	-----	-----
CN	IC2956A200A	-----	IC2956A200C	-----	6960053G3	112B9742G2	1
					6960053G3	112B9742G1	1

*Includes movable and stationary contacts with springs and contact holding screws for one switch unit.

IC2800-Y107 CONTACTORS

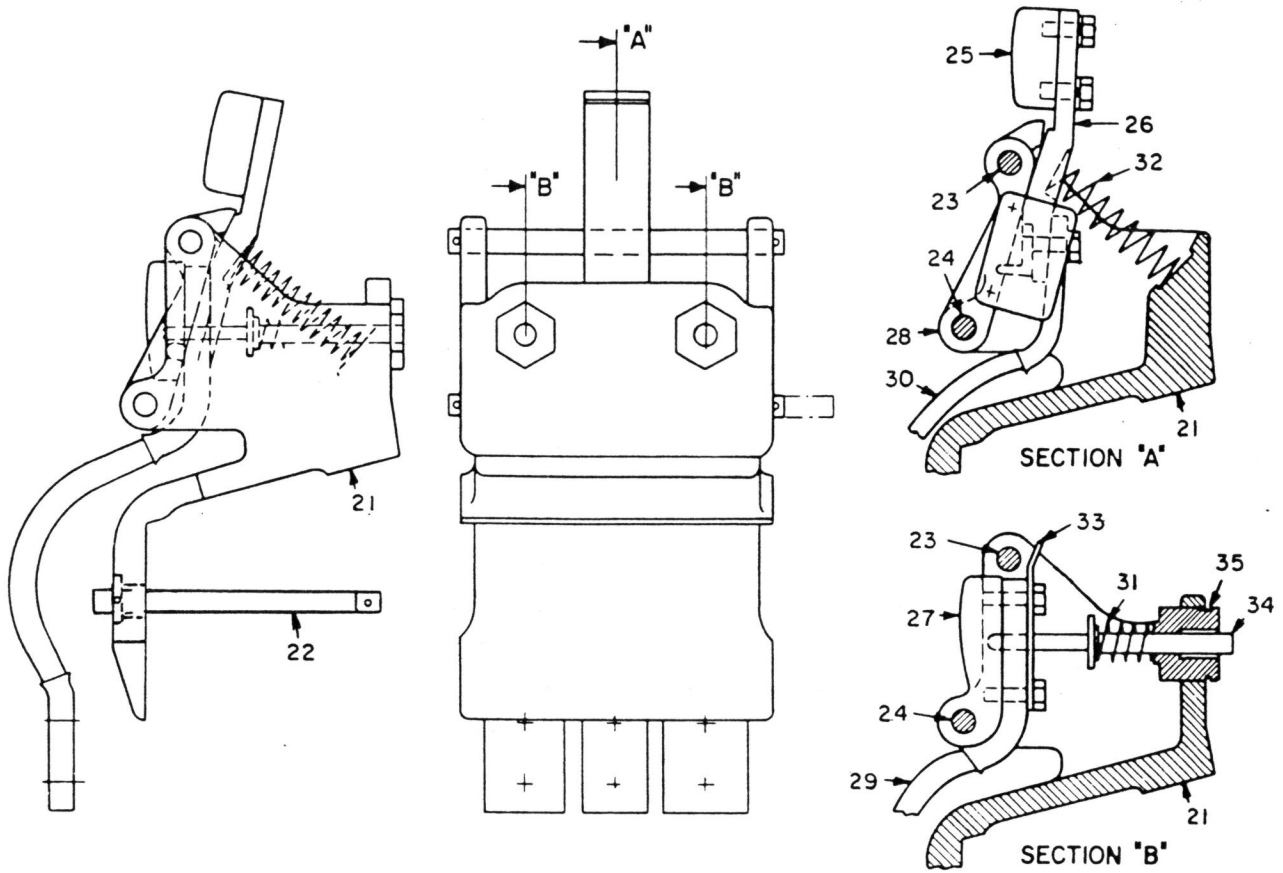


Fig. 2. Armature and moving contact parts

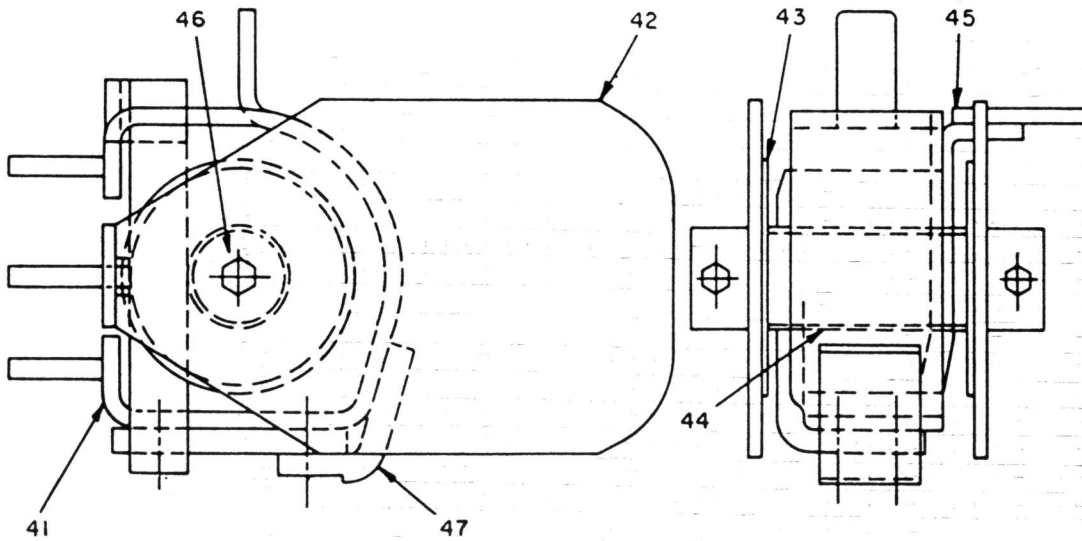


Fig. 3. Blowout coil and stationary contact parts

IC2800-Y107 CONTACTORS

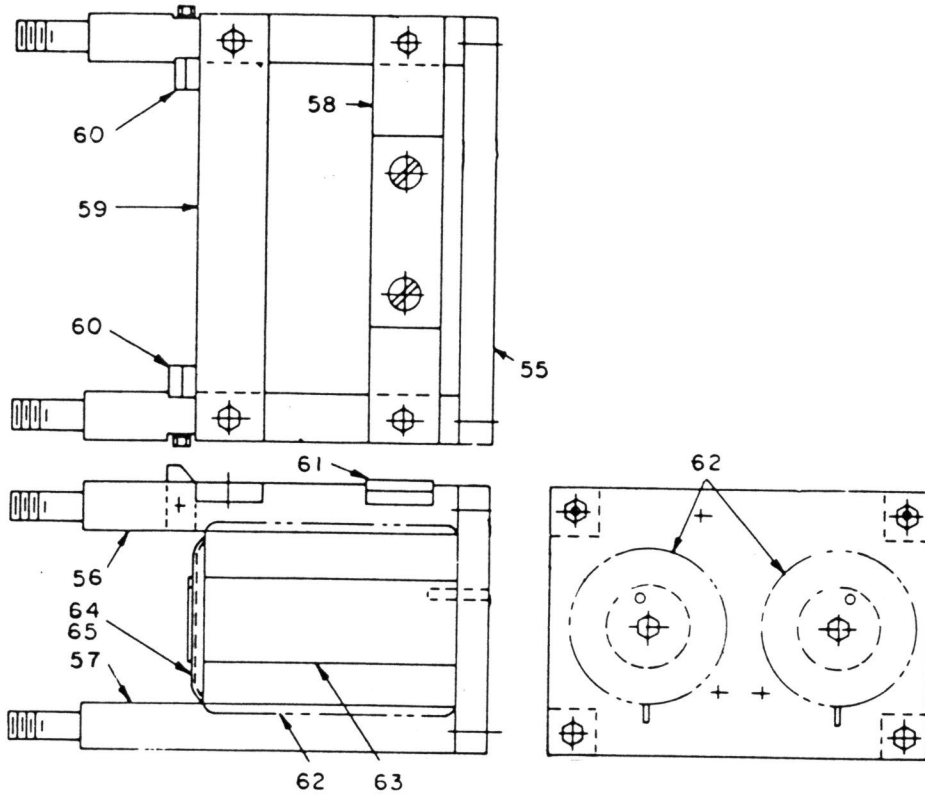


Fig. 4. Magnet frame and associated parts

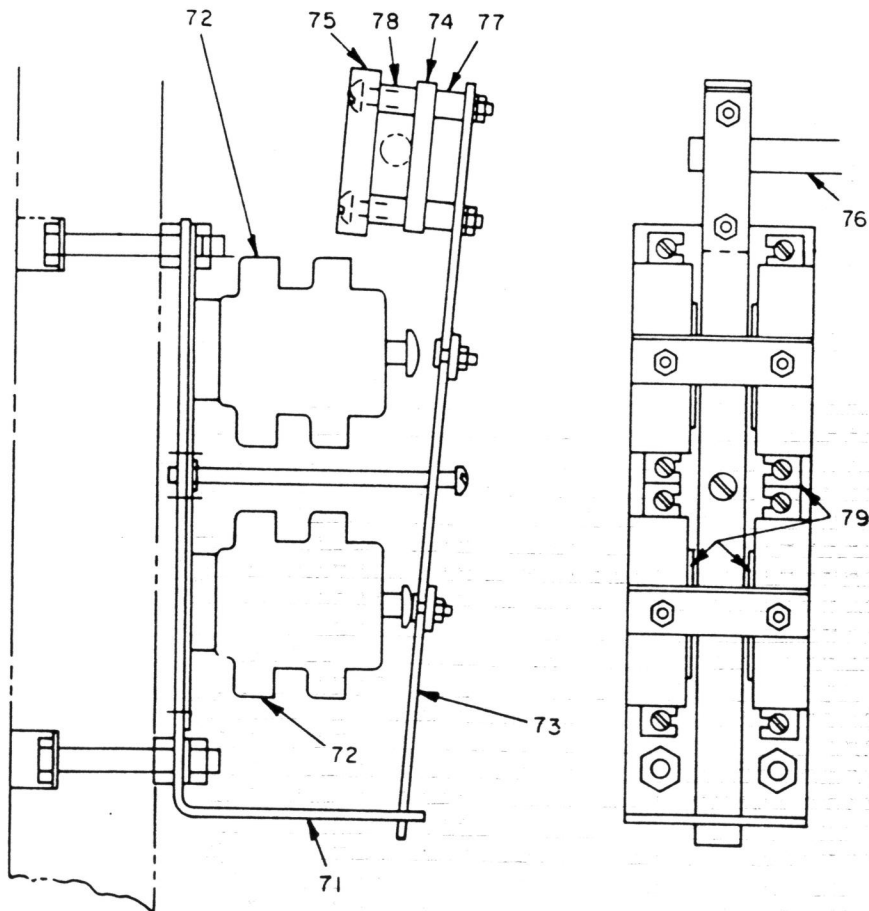


Fig. 5. Interlock mounting and operating parts

IC2800-Y107 CONTACTORS

INTERLOCK MOUNTING AND OPERATING PARTS FOR IC2800-Y107 CONTACTORS

Fig. No.	Ref. No.	No. required for		Catalog Number	Description
		112B9742G1	112B9742G2		
5	-	1	-	112B9742G1	Electrical interlock assembly, complete
5	-	-	1	112B9742G2	Electrical interlock assembly, complete
5	71	1	1	112B9784P4	Supporting bracket for operating arm
5	72	†	†	See Table	Electrical interlock
5	73	1	1	112B9784G1	Operating arm for interlocks
5	74	1	1	147A5811P1	Inner block for pin
5	75	1	1	147A5811P2	Outer block for pin
5	76	1	1	147A5788P1	Operating pin
5	77	2	2	287A874P12	Spacer between operating arm and inner block for pin
5	78	2	2	2477688P1	Spacer between inner and outer blocks for pin
5	79	‡	‡	575A555P1	Support bracket for interlock

† Quantity variable

‡ As required

IC2801-AX205 ENCLOSED CONTACTORS (FOR D-C CONTROL)

NOTE: These contactors consist of one IC2800-Y107 contactor mounted in a NEMA I enclosure.

The number following the form letter in the IC designation identifies the operating coil and resistor. Each must be ordered separately from the table below.

EXAMPLE: IC2801-AX205-A102-G contactor requires contactor coil No. 22D95G21A and resistor, Cat. No. A100G100EA/TH.

See Fig. 6 for reference numbers

Coil Group No.	Contactor-M1 (Ref.)		Resistor-RES (Ref. No.)	
	Coil Catalog Number	No. Req.	Catalog Number	No. Req.
102	22D95G21A	1	A100G100EA/TH	1
103	22D95G5A	1	A100G500EA/TH	1
107	22D95G14A	1	A100G1500EA/TH	1

IC2801-AX205 ENCLOSURE LIST OF PARTS

Fig. No.	Ref. No.	Catalog Number	No. req. per Contactor	Description
6	90	162A2214G1	1	Case assembly
6	91	68J120200AE-XXXB	1	Back
6	92	68J220200CG-XXXP	1	Shell assembly
6	93	68J210251BA-PVXB	1	Door assembly
6	94	See table	1	Contactor coil -M1
6	95	See table	1	Resistor-RES
6	96	9653189P22	1	Insulation
6	97	174A7301P1	1	Barrier
6	98	174A7300P1	1	Barrier bracket
6	99	174A7300P2	2	Barrier bracket
	*	68J110205AA-CXXP	2	Conduit plate

* Not shown

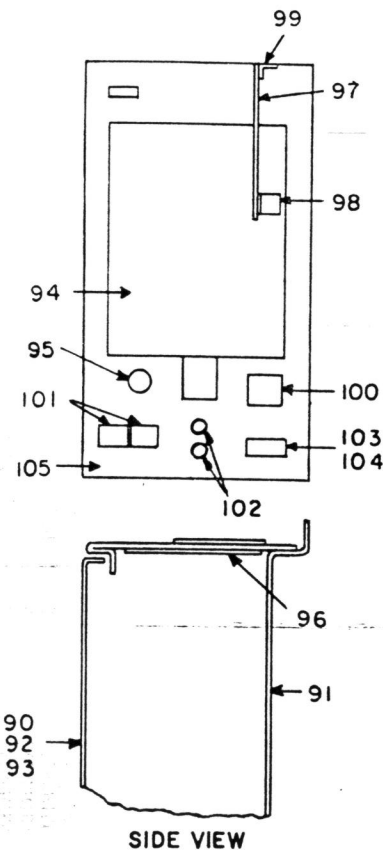


Fig. 6. IC2801-AX205 and -AX254 contactor parts

IC2801-AX254 ENCLOSED CONTACTORS (FOR A-C CONTROL)

NOTE: These contactors consist of one IC2800-Y107 contactor mounted in a NEMA 1 enclosure. The number following the form letter in the IC designator identifies the operating coils, rectifiers, and resistor. Each must be ordered separately from the table below.

EXAMPLE: IC2801-AX254-AZ02-G contactor requires contactor coil No. 22D95G7, rectifier Cat. No. 6RS25PB3AHD1, resistor IC9006A100G18EA/X103AG, and MX coil Cat. No. 22D135G2.

See Fig. 6 for reference numbers

Coil Group No.	Coil - M1 (Ref.)		Rectifier-REC (Ref.)		Resistor-RES (Ref.)		Resistor-Pickup (Ref.)		Coil - MX (Ref.)	
	Catalog Number	No. Req.	Catalog Number	No. Req.	Catalog Number	No. Req.	Catalog Number	No. Req.	Catalog Number	No. Req.
202	22D95G7	1	6RS25PB3AHD1	2	IC9006A100G18EA/X103AG	1	-----	-----	22D135G2	1
203	22D95G1	1	6RS25PB6AHD1	1	IC9006A100G60EA/X103AG	1	-----	-----	22D135G3	1
204	22D95G6	1	6RS22PD12AHD1	2	IC9006A100G100EA/X103AG	1	-----	-----	22D135G4	1
205	22D95G6	1	6RS22PD12AHD1	2	IC9006A100G400EA/X103AG	1	-----	-----	22D135G5	1
206	22D95G6	1	6RS22PD12AHD1	2	IC9006A100G550EA/X103AG	1	-----	-----	22D135G6	1
212	22D95G25A	1	6RS22PB3AHD1	2	151A3984G2	1	151A3984G2	2	22D135G2	1
213	22D95G43A	1	6RS22PB6AHD1	1	151A3984G2	1	151A3984G2	1	22D135G3	1
214	22D95G6A	1	6RS22PD12AHD1	2	151A3984G2	1	151A3984G2	1	22D135G4	1
215	22D95G6A	1	6RS22PD12AHD1	2	151A3984G2	1	151A3984G2	1	22D135G5	1
216	22D95G6A	1	6RS22PD12AHD1	2	151A3984G2	1	151A3984G2	1	22D135G6	1
232	22D95G21A	1	IC3500A403 C2	1	IC9006A100G125EA/TH	1	-----	-----	22D135G2	1
233	22D95G15A	2	IC3500A403 C6	1	IC9006A100G500EA/TH	1	-----	-----	22D135G3	1
234	22D95G8A	2	IC3500A403 C5	1	IC9006A100G1500EA/TH	1	IC9006A100G100EA/TH	1	22D135G4	1
235	22D95G14A	2	IC3500A403 C8	1	IC9006A100G2500EA/TH	1	IC9006A100G100EA/TH	2	22D135G5	1

IC2801-AX254 ENCLOSURE LIST OF PARTS

Fig. No.	Ref. No.	Catalog Number	No. req. per Contactor	Description
6	90	162A2214AAG3	1	Case assembly
6	91	68J120200AE-XXXB	1	Back
6	92	68J220200CH-XXXP	1	Shell assembly
6	93	68J210251BA-PVXB	1	Door assembly
6	94	See table	†	Contact coil - M1
6	100	See table	†	Coil - MX
6	101	See table	†	Rectifier-REC
6	95	See table	†	Resistor-RES
6	102	See table	†	Resistor-Pick-up
6	103	106B7000G1	1	Terminal board
6	104	125A5978P1	1	Marking strip
6	105	125A4406P2	1	Mounting plate
6	96	96S3189P22	1	Insulation
6	97	174A7301P1	1	Barrier
6	98	174A7300P1	1	Barrier bracket
6	99	174A7300P2	2	Barrier bracket

† Quantity variable

IC2800-Y107 CONTACTORS

COMPLETE LIST OF HARDWARE

PLAIN WASHERS

Cat. No.	Description
N402P9B6	For No. 10 screw
N402P11B6	For 1/4 in. screw
N402P12B6	For 5/16 in. screw, narrow
N402P13B6	For 3/8 in. screw, narrow
N402P43B6	For 3/8 in. screw, regular
N402P15B6	For 1/2 in. screw
N402P17B6	For 5/8 in. screw

LOCK WASHERS

Cat. No.	Description
N405P39B6	For No. 10 screw, medium
N405P41B6	For 1/4 in. screw, zinc
N405P41C6	For 1/4 in. screw, cadmium
N405P42B6	For 5/16 in. screw, zinc
N405P42C6	For 5/16 in. screw, cadmium
N405P43B6	For 3/8 in. screw
N405P45B6	For 1/2 in. screw
N405P47B6	For 5/8 in. screw

NUTS

Cat. No.	Description
N210P16B6	10-32, hex
N218P21B6	1/4 in. -20, sq.
N245P21B6	1/4 in. -20, hex
N203P23B6	5/16 in. -18, hex
N218P23B6	5/16 in. -18, sq.
N245P23B6	5/16 in. -18, hex
N211P23	5/16 in. -18, hex, jam
N236P23	5/16 in. -18, wing
N203P29B6	1/2 in. -13, hex
N245P29B6	1/2 in. -13, hex
N245P33B6	5/8 in. -11, hex

BOLTS AND SCREWS

Cat. No.	Description
N530P403C6	No. 4, 3/16 in., drive, cadmium
N51P16008B6	10-32, 1/2 in., flat hd., pro. fin.
N22P21014B6	1/4 in. -20, 7/8 in., hex hd., pro. fin.
N26P21020B6	1/4 in. -20, 1 1/4 in., hex hd. slot, pro. fin.
N57P21028B6	1/4 in. -20, 1 3/4 in., pan. hd., pro. fin.
N22P21032B6	1/4 in. -20, 2 in., hex hd., pro. fin.
N22P21036B6	1/4 in. -20, 2 1/4 in., hex hd., pro. fin.
N57P21044B6	1/4 in. -20, 2 3/4 in., pan. hd., pro. fin.
N22P23008B6	5/16 in. -18, 1/2 in., hex hd., pro. fin.
N26P23012B6	5/16 in. -18, 3/4 in., hex hd. slot, pro. fin.
N22P23014B6	5/16 in. -18, 7/8 in., hex hd., pro. fin.
N26P23014B6	5/16 in. -18, 7/8 in., hex hd. slot, pro. fin.
N22P23016B6	5/16 in. -18, 1 in., hex hd., pro. fin.
N26P23018B6	5/16 in. -18, 1 1/8 in., hex hd. slot, pro. fin.
N22P23032B6	5/16 in. -18, 2 in., hex hd., pro. fin.
N22P25012B6	3/8 in. -16, 3/4 in., hex hd., pro. fin.
N22P25016B6	3/8 in. -16, 1 in., hex hd., pro. fin.
N22P25032B6	3/8 in. -16, 2 in., hex hd., pro. fin.
N22P25048B6	3/8 in. -16, 3 in., hex hd., pro. fin.
N22P29020B6	1/2 in. -13, 1 1/4 in., hex hd., pro. fin.
N22P29024B6	1/2 in. -13, 1 1/2 in., hex hd., pro. fin.
N22P29048B6	1/2 in. -13, 3 in., hex hd., pro. fin.
N22P29052B6	1/2 in. -13, 3 1/4 in., hex hd., pro. fin.

COTTER PIN

Cat. No.	Description
N503P1212B6	1/8 in. by 3/4 in., steel

DOWEL PIN

Cat. No.	Description
N509P916C6	3/32 in., 1 in. lg.
N509P1920	3/16 in., 1 1/4 in. lg.

STUD

Cat. No.	Description
N89P16040B6	No. 10, 2 1/2 in., steel

GENERAL ELECTRIC COMPANY
 INDUSTRIAL CONTROL DEPARTMENT
 SALEM, VA. 24153

