

# Product Information Packet

November 8, 2016

Data shown is for the current revision model #. Ensure your nameplate model # matches.

<b>Model Number:</b>	<b>5KS143STE204A</b>
<b>Catalog Number:</b>	<b>M7523</b>
<b>Instruction Manual:</b>	GEI-M1031
<b>Connection Diagram:</b>	GEM2034E-FIG1
<b>Outline Drawing:</b>	358B6269AA

Accessory Connection Diagrams			
<b>Bearing Thermocouple:</b>	None	<b>Heater:</b>	None
<b>RTD:</b>	None	<b>Thermistor:</b>	None
<b>Thermostat:</b>	None	<b>Winding Thermocouple:</b>	None
<b>Bearing RTD:</b>	None		

Table of Contents	
Specification	01
Performance Characteristics	02
Outline Drawing	03
Connection Drawing(s)	04



**Marks:**

<b>MODEL NUMBER:</b>	<b>5KS143STE204A</b>	<b>Estimated Weight:</b>	47 Lbs
<b>Outline Drawing:</b>	358B6269AA	<b>Time Rating:</b>	CONT
<b>Connection Diagram:</b>	GEM2034E-FIG1	<b>Enclosure:</b>	TEFC
<b>Instruction Book:</b>	GEI-M1031	<b>Encl Construction:</b>	SD
<b>Design Code:</b>	14AD1011B	<b>Ambient Max(°C):</b>	40
<b>Type:</b>	KS	<b>Alt Ambient Max(°C):</b>	--
<b>Frame:</b>	143T	<b>Insulation Class:</b>	F
<b>Phases:</b>	3	<b>NEMA Design:</b>	B
<b>Poles:</b>	4	<b>Nominal Efficiency:</b>	85.5 %
<b>Output Power:</b>	1HP 0.7KW	<b>Guaranteed Efficiency:</b>	82.5
<b>RPM:</b>	1750	<b>3/4 Load Efficiency:</b>	88.1
<b>Voltage:</b>	575	<b>KVA Code:</b>	N
<b>Hertz:</b>	60	<b>Max KVAR:</b>	0.5
<b>Amps - FL:</b>	1.1	<b>Power Factor:</b>	76.0
<b>Service Factor:</b>	1.15	<b>Bearing - DE:</b>	6205ZZC3
<b>Alt Service Factor:</b>	--	<b>Bearing - ODE:</b>	6205ZZC3

**Enclosure is Totally Enclosed Fan-Cooled**

---

**Stamped Nameplate Notes:****Additional Information:**

4 POLE, TEFC, LRA: 9.0 AMPS  
 SOUND POWER : 70 DBA  
 GREASE: SHELL ALVANIA R3 LITHIUM GREASE  
 NO. OF MOTOR LEADS: 3  
 CONDUIT BOX VOLUME (CU IN): 47.1  
 CONDUIT BOX MATERIAL: CAST IRON  
 SUITABLE FOR USE IN CLASS I DIVISION 2 LOCATIONS  
 CLASS I DIVISION 2 GROUPS A,B,C,D T3C  
 CLASS I ZONE 2 IIC T3C

**Performance Characteristics**

1st Winding 1st Connection

**Design: 14AD1011B**

**Marks:**

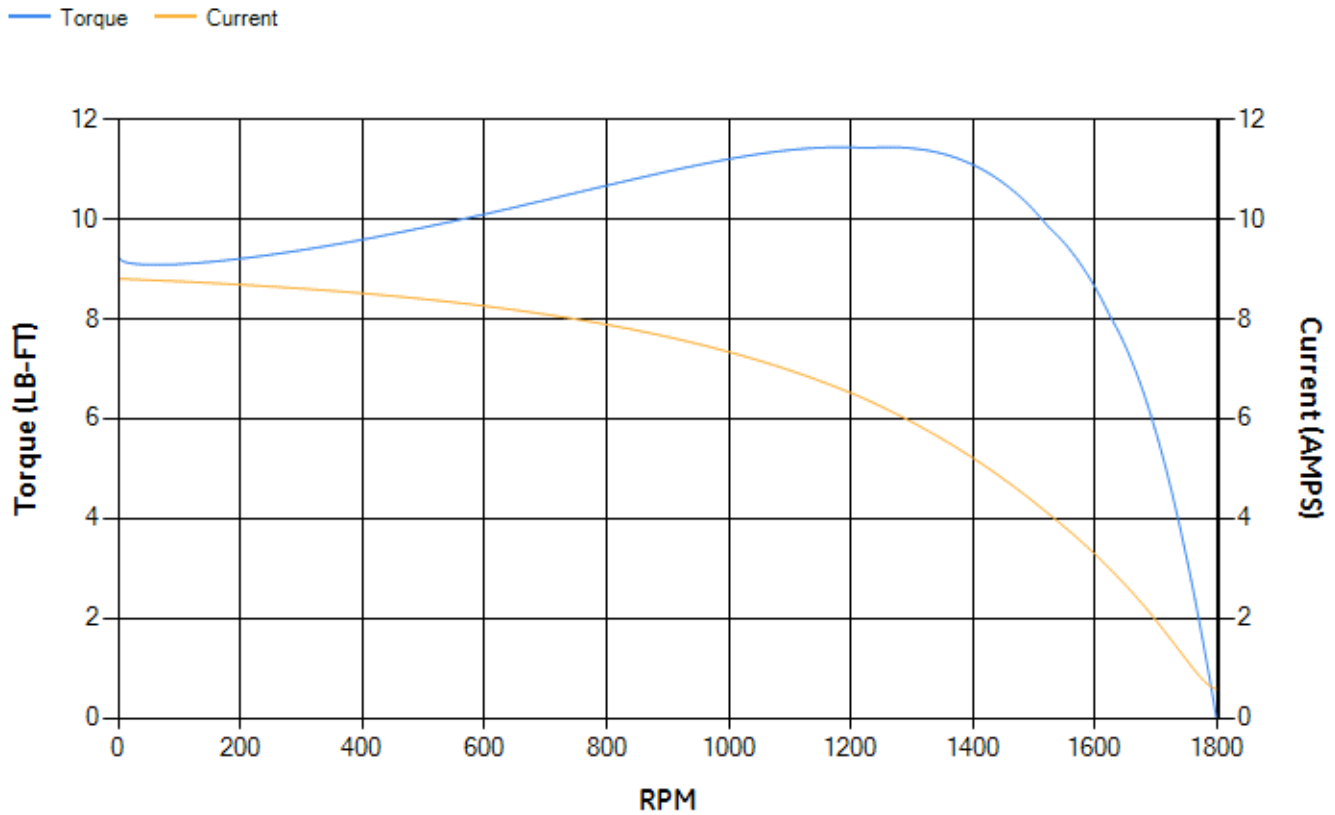
LOAD %	125.0	115.0	100.0	75.0	50.0	25.0	0.0
% EFF	87.66	87.98	88.49	88.13	86.32	79.07	0.00
% PF	80.73	79.38	76.68	69.61	57.34	36.95	7.66
AMPS	1.32	1.23	1.1	0.92	0.76	0.64	0.58

TORQ(FL)#FT	3	TORQ(LR)%FL	308.01	TORQ(BD)%FL	375.65
AMPS(LR)	8.8	PF AT START	0.52		

This motor is capable of two cold or one hot start with a maximum connected load inertia of 79 Lb-Ft Sq (3.33 Kg-meter Sq)at 100% voltage, where the load torque varies with the square of the speed. Acceleration time with maximum inertia and the above load type is 51 seconds. Safe stall time at 100% voltage is 121 seconds cold, 102 seconds hot. Rotor inertia is 0.1 Lb-Ft Sq (0 Kg-meter Sq).

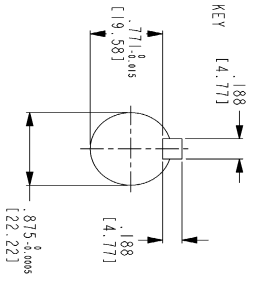
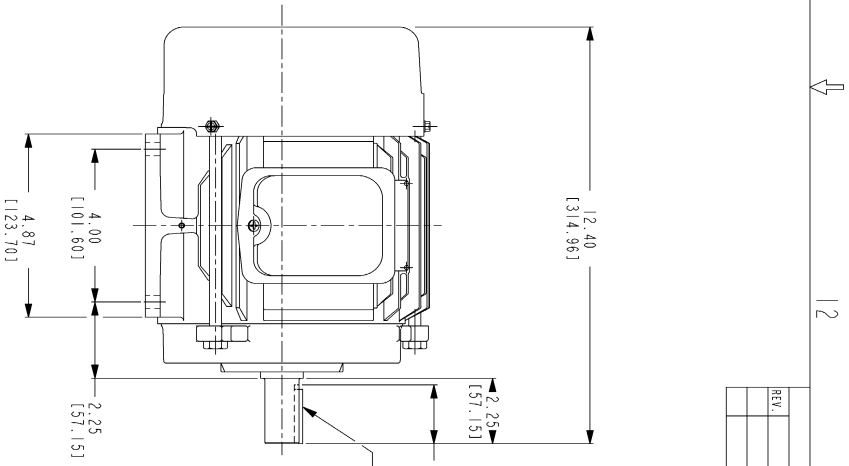
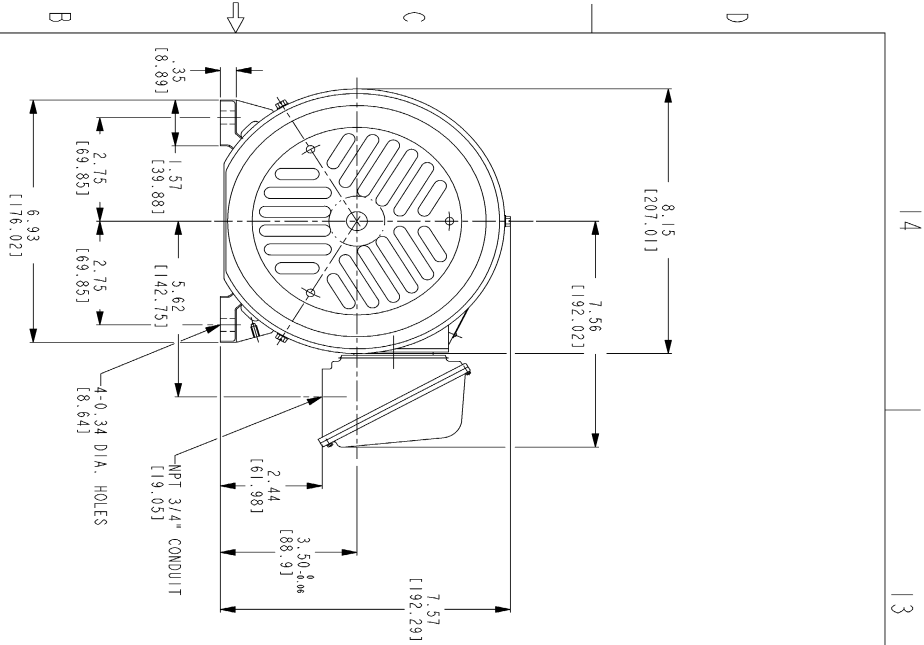
Open Circuit A-C:	0.157	Short Circuit D-C:	0.008
Short Circuit A-C:	0.008	X/R Ratio:	2.954
Stator Slots:	36	Rotor Slots:	28

**Speed Torque Current Curve (First Connection, First Speed)**

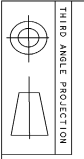


NAME:501291659 OBJECT:358B6269AA DATE:31-Dec-07 11:31:44

Marks:



- NOTES:
1. DIMENSIONS ARE IN INCHES.
  2. F-1 ASM AS SHOWN.
  3. F-2 ASM - HAS CONDUIT BOX ON OPPOSITE SIDE.
  4. BRACKETED DIMENSIONS ARE METRIC (MILLIMETERS)
  5. ICA11, IP94, IMB34 APPLY.



THIRD ANGLE PROJECTION

Part must conform to SI 900000 Sect 4, Toxicity Procedure

FOR ADDITIONAL INFO REFER TO:	SIGNATURES	DATE
APPLICABLE DIMENSIONS ON: INCHES	DESIGNED BY: SOUMITRA	12/26/07
2 PL DECIMALS ±	CHECKED BY: SANJAY	12/26/07
3 PL DECIMALS ±	ENG BY: R. KOHNE	12/26/07
ANGLES ±	ISSUED BY: SOUMITRA	12/26/07
FINISH		

MATERIAL: SOLID MODEL: MODEL NAME		TITLE: <b>OUTLINE</b>	
SCALE: C		FD - 143T TERC CE MARK	
SHEET 1 OF 1		471 CU IN CONDUIT BOX	
REV: 0		358B6269AA	
SHEET 1 OF 1		GENERAL ELECTRIC COMPANY	

REV.	DESCRIPTION	DATE	APPROVED

358B6269AA REV 0

Marks:

**Connection Diagram**  
**GEM2034E-FIG1**

